

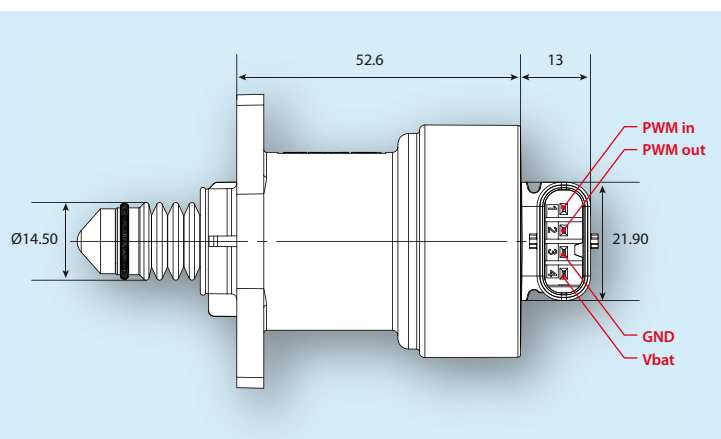
Smart Linear Actuator 8210 Series



SONCEBOZ
from mind to motion

Features

- Integrated lead-screw
- Embedded drive electronics with standard communication interfaces
- Stall detection without sensor
- Tin-Can stepper motor
- Force up to 40 N
- Different thread pitch lengths available
- Travel up to 9 mm
- 24 or 48 steps per revolution
- IP65 watertight
- EMC approved according to standards
- Operating temperature range: -40°C to +120°C
- Integrated failsafe upon request



Benefits

- All-in-one motion system
- Easy integration in tight environments
- Self-diagnosis to reduce machine downtimes
- Hassle-free and reliable motion system
- Force and resolution configuration for a wide array of applications
- Ideal for precise positioning or flow regulation

Our core competencies consist of design, development and production of mechatronic drive systems and electric motors that operate in harsh environments. We are committed to improving safety, decreasing energy consumption and minimizing the impact on the environment. Our focus on innovation, best in class quality and exceptional service is our key to success for worldwide OEM customers and their suppliers.

SONCEBOZ

Rue Rosselet Challandes 5
2605 Sonceboz - Switzerland
Ph. +41 (0)32 488 11 11
Fax +41 (0)32 488 11 00
info@sonceboz.com
www.sonceboz.com