

▶ Linear actuators

7230

- Max. Force..... 142 N (0.001'')
106 N (0.002'')
- Size..... 63 x 63 mm
- Max. Travel 76.2 mm
- Weight 450 g
- Increment/step 0.0254 mm (0.001'')
0.0508 mm (0.002'')

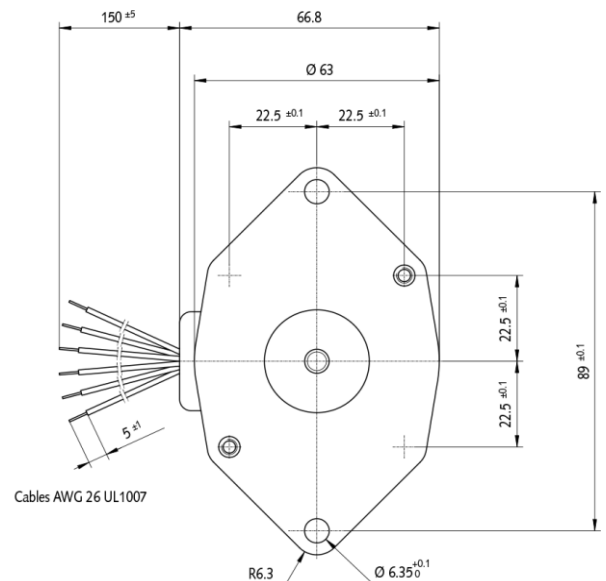
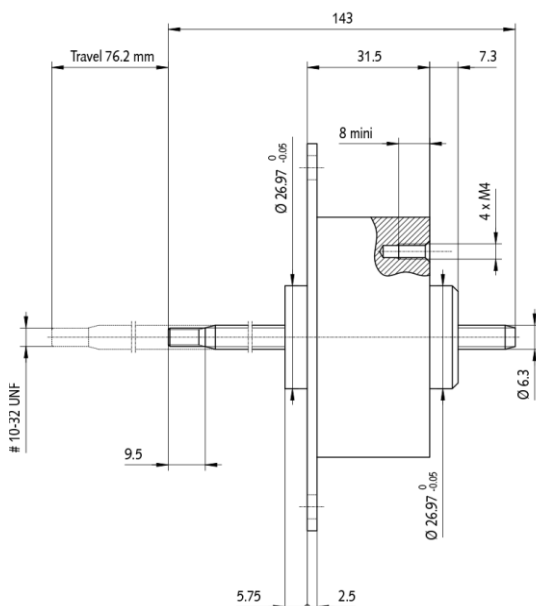
The reliability of the actuator allows to use under extrem conditions where compact dimensions and precision are required.

▶ Technical data

	Part N°	Phase resistance [Ω]	Phase inductance [mH]	Phase current [mA]	Max. force [N]	Nominal power [W]
Unipolar	7230-4-5 (0.001'')	5	5.5	1	142	10
	7230-4-25 (0.002'')	25	22.4	0.48	106	11.5

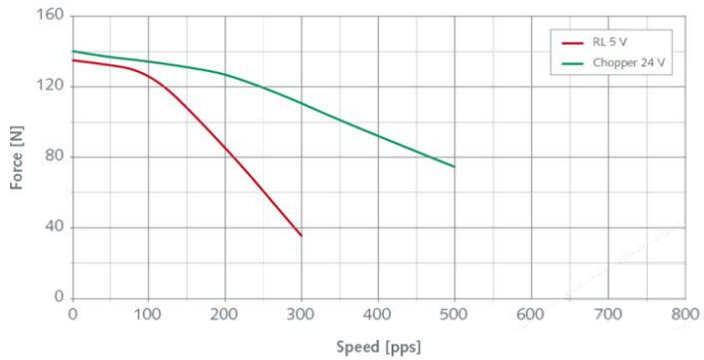
▶ Dimensions

Drawing not to scale. All dimensions in mm.

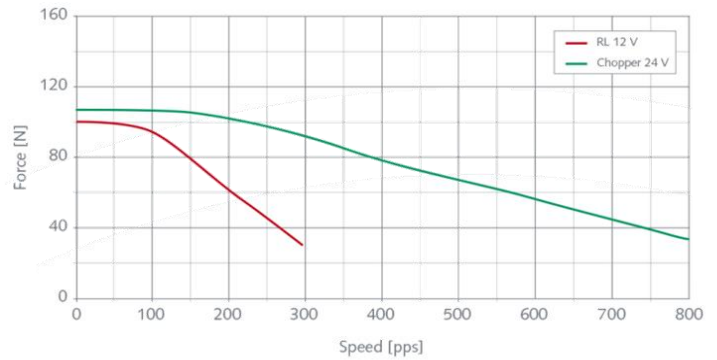


► Dynamic characteristics

• 7230-4-5 (0.001")



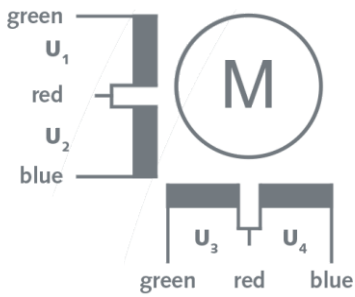
• 7230-4-25 (0.002")



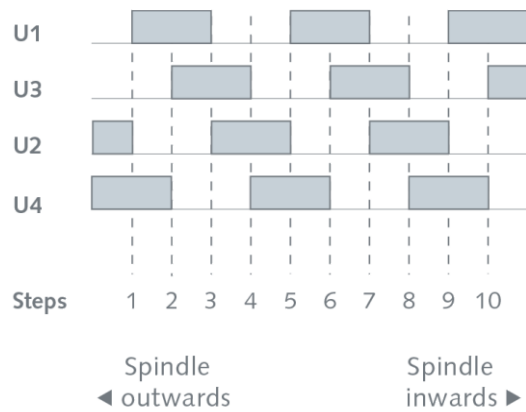
[pps] = pulses per second

► Electrical Interface and Step sequence

• Connection



• Steps sequence



► Working conditions

Insulation Class	E 120° C
Protection	DIN 40050
	IP 30
Test Voltage	500 VAC

Special requirements upon customer specifications. Right to change reserved.

<2.0>

SONCEBOZ SA

2605 Sonceboz – Switzerland

Tel. +41(0) 32 488 11 11

Fax +41(0) 32 488 11 00

info@sonceboz.com - www.sonceboz.com

