



## ▶ Linear actuators

**7217**

- Max. Force ..... 50 N
- Max. Travel ..... 10 mm
- Weight ..... 55 g
- Increment/step .... 0.042 mm  
(24 steps/rev.)  
0.021 mm  
(48 steps/rev.)

The reliability of the actuator allows to use under extrem conditions where compact dimensions and precision are required.

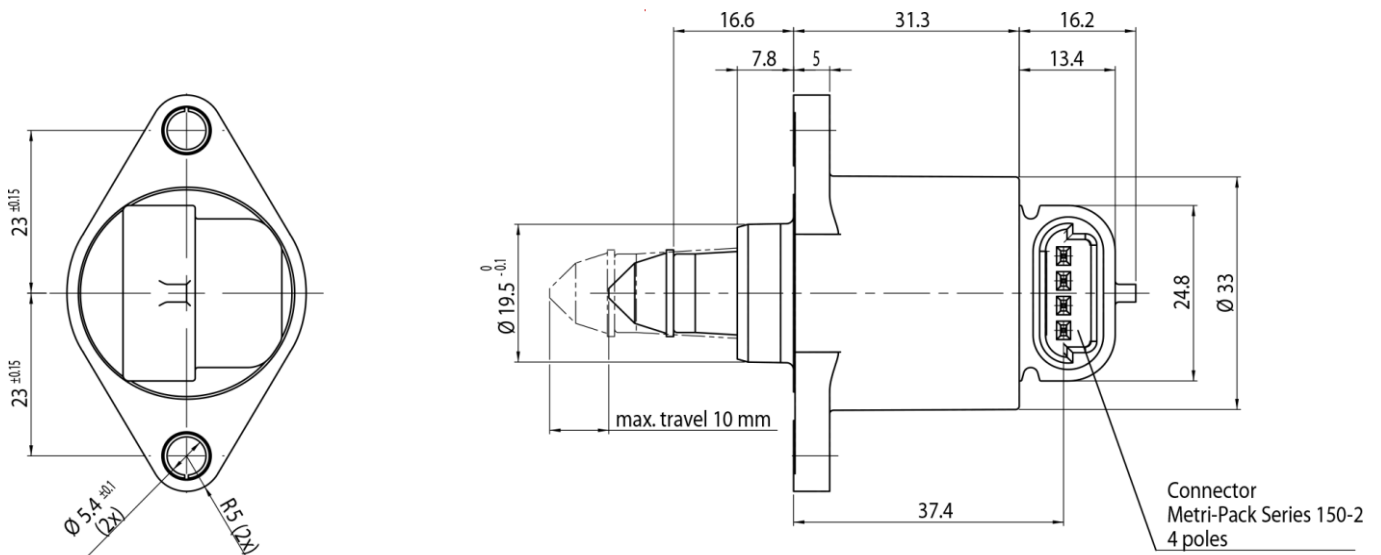
### ▶ Technical data

Magnet type	Phase resistance [Ω]	Phase inductance [mH]	Phase current [mA]	Nominal power [W]	Phase tension [V]	Steps/rev	Step angle [°]
Standard	51	38	233	5.5	12	24	15
Strong	51	32	233	5.5	12	24	15
Standard	13	10	350	3.2	12	24	15
Strong	13	8	350	3.2	12	24	15
Strong	51	48	200	4.1	24	48	7.5
Strong	13	12	350	3.2	12	48	7.5

Available Standard pitch sizes: 0.800 mm / 1.016 mm / 1.200 mm / 2.400 mm / 3.840 mm

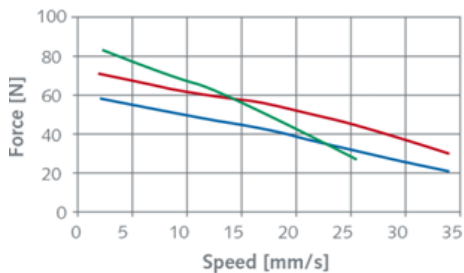
### ▶ Dimensions

Drawing not to scale. All dimensions in mm.

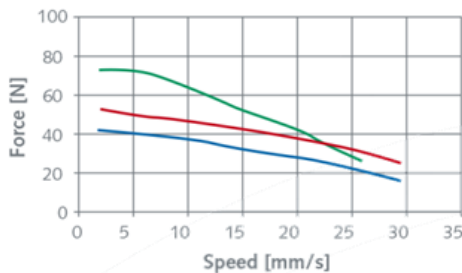


► Dynamic characteristics

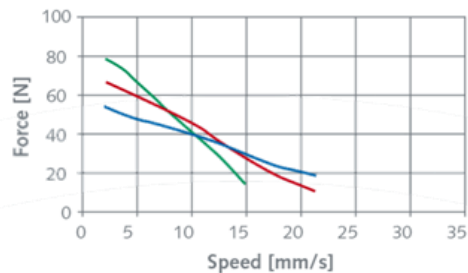
• Chopper 24V



• Chopper 12V



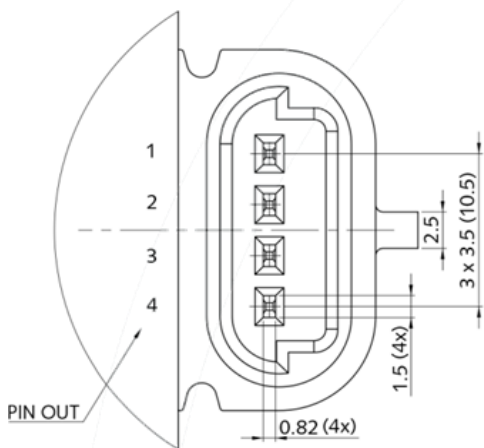
• RL 12V



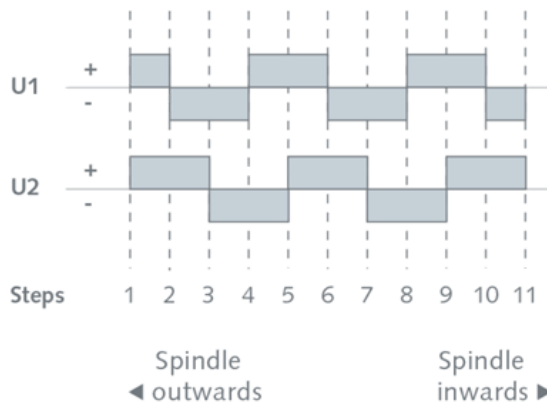
— 24 step/rev. standard magnet — 24 step/rev. strong magnet — 48 step/rev. strong magnet

► Electrical Interface and Step sequence

• Connection



• Steps sequence



Connector type ..... Metri-Pack Serie 150-2, 4 poles  
 Mating with ..... Connector FCI type 65846-015  
 Contact FCI type 47750-000

► Working conditions

Ambient temperature ..... -40 ... +120 °C  
 Vibration ..... 40 g  
 Insulation Class ..... B 130 °C  
 Protection ..... IP 65 (DIN 40050)  
 Test Voltage ..... 500 VAC  
 Speed (200 Hz, pitch 1.016) ..... 24 steps/rev. (8.45 mm/s)  
 ..... 48 steps/rev. (4.23 mm/s)

Special requirements upon customer specifications. Right to change reserved.

<2.0>

SONCEBOZ SA

2605 Sonceboz – Switzerland

Tel. +41(0) 32 488 11 11

Fax +41(0) 32 488 11 00

info@sonceboz.com - www.sonceboz.com

