

▶ Linear actuators

7211

- Max. Force 50 N@400 pps
- Diameter 25.4 mm
- Max. Travel 18/80 mm
- Weight 55 g
- Increment/step 0.021 mm
(48 steps/rev.)

The reliability of the actuator allows to use under extrem conditions where compact dimensions and precision are required.

▶ Technical data

Part N°	Phase resistance [Ω]	Phase inductance [mH]	Phase current [mA]	Max. force [N]	Nominal power [W]	Phase tension [V]
7211-2-46	46	41	190	50	3.4	8.8

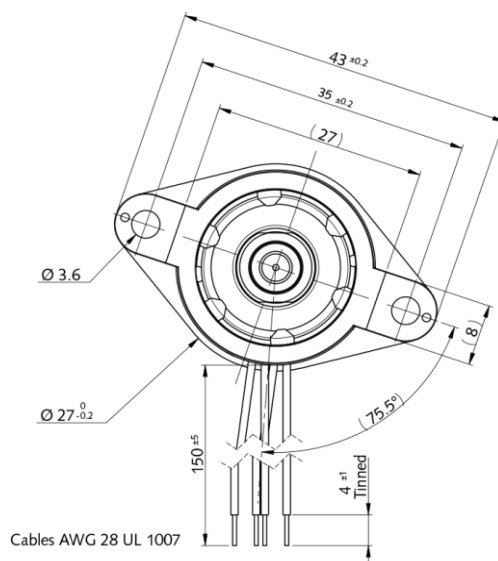
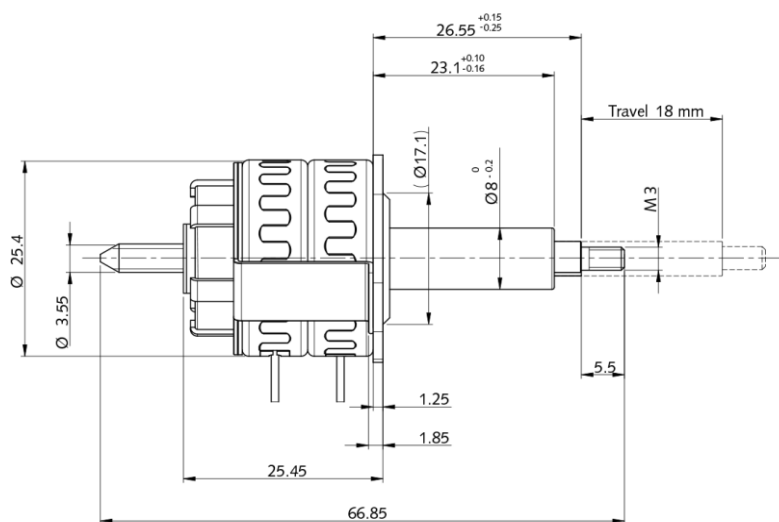
Max. travel length with antirotational device: 18 mm

Max. travel length without antirotational device: 80 mm

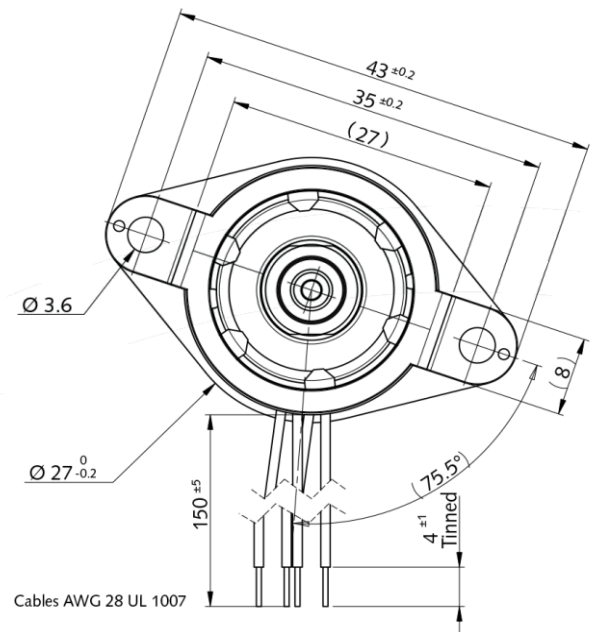
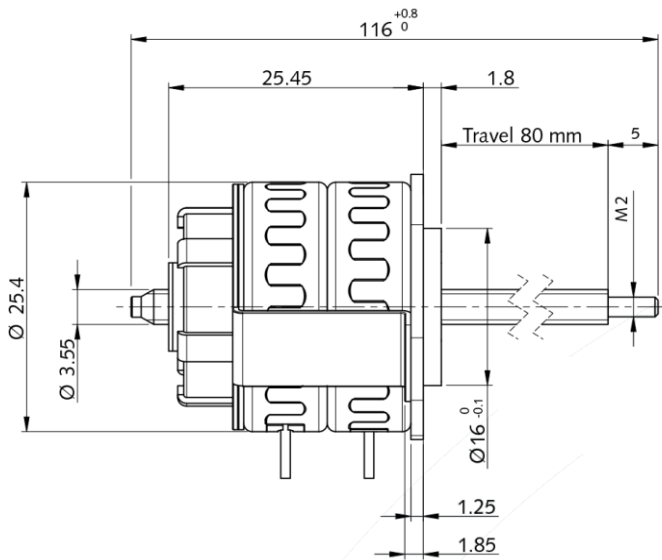
▶ Dimensions

Drawing not to scale. All dimensions in mm.

- With antirotational device (captive shaft)

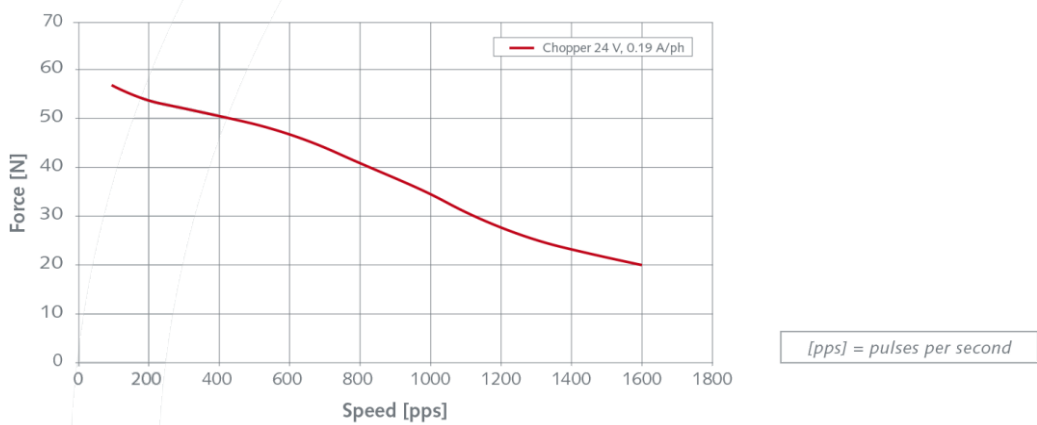


- Without antirotational device (non-captive shaft)



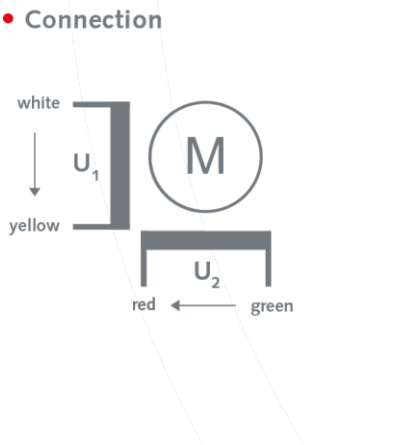
► Dynamic characteristics

- 7211-2-46

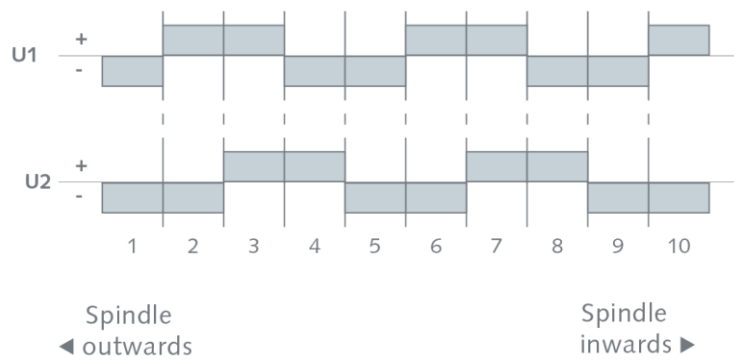


► Electrical Interface and Step sequence

- Connection



- Step sequence



Special requirements upon customer specifications. Right to change reserved.

<2.0>