

► Hybrid stepper motors

6630-37

- Step angle 1.8°
- Diameter 86 mm
- Weight 2800 g
- Holding torque 6 Nm

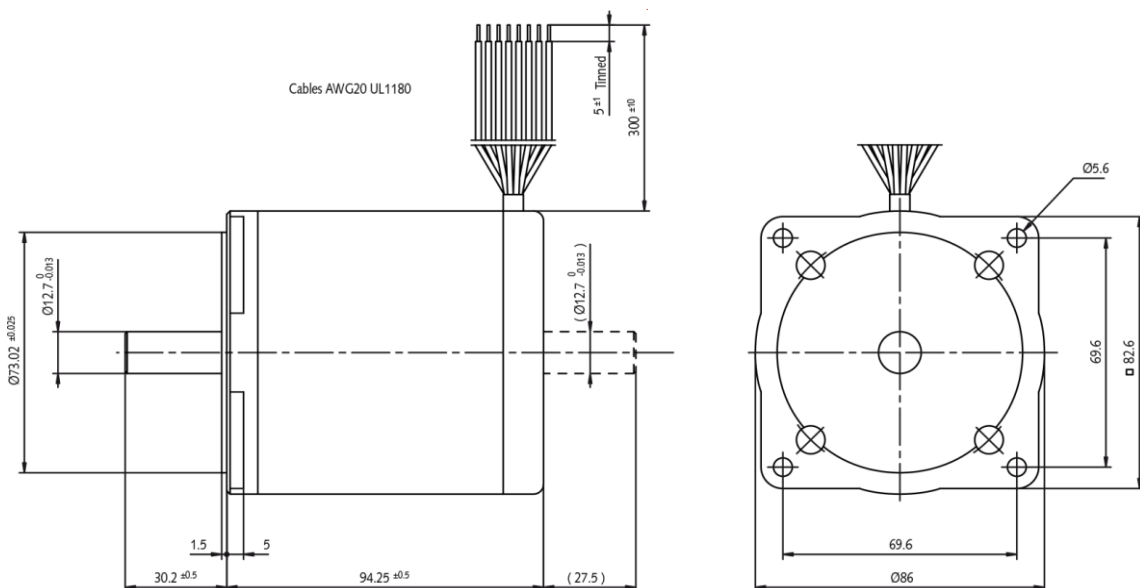
The hybrid stepper motor comes into its own where torque at low speed, positioning, and accuracy are determining factors.

► Technical data

	Part N°	Phase resistance [Ω]	Phase inductance [mH]	Phase current [A]	Holding torque [mNm]	Nominal power [W]		
Phases in parallel	6630-37-4-0.66	0.33	2.6	6.80	6	30.5	Steps/rev.	200
Phases in series		1.32	10.4	3.40	6	30.5	Step accuracy	± 5%
							Rotor inertia	2660 gcm ²
							Insulation class	B 130 °C
							Protection	DIN 40050 IP 30
							Test voltage	500 VAC
							Detent torque	180 mNm

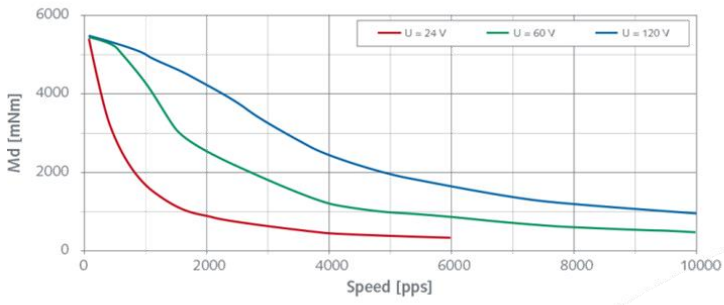
► Dimensions

Drawing not to scale. All dimensions in mm.

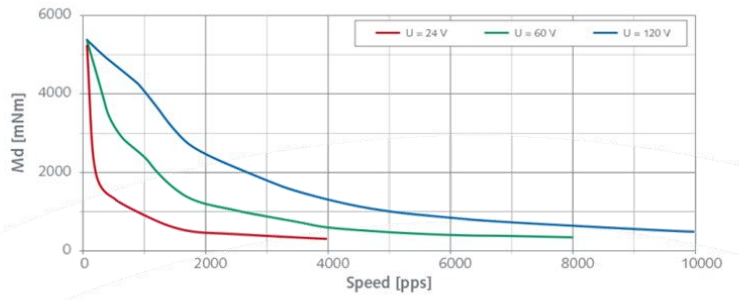


► Dynamic characteristics

• 6630-37-4-0.66 ► Phases in parallel



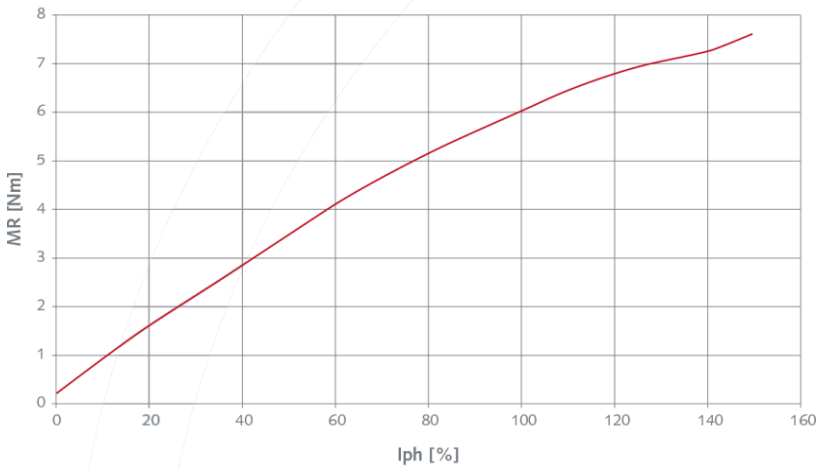
• 6630-37-4-0.66 ► Phases in series



[pps] = pulses per second

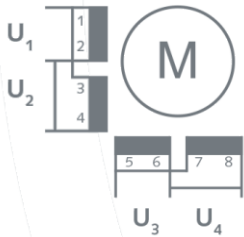
► Static characteristics

• 6630-37-4 Series

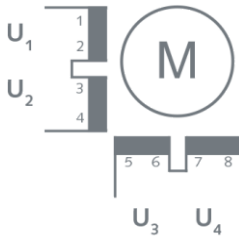


► Electrical Interface

► Phases in parallel



► Phases in series



- U₁ 1 green
2 orange
- U₂ 3 black-white
4 green-white
- U₃ 5 red
6 black
- U₄ 7 white
8 red-white

Special requirements upon customer specifications. Right to change reserved.

<2.0>

SONCEBOZ SA

2605 Sonceboz – Switzerland

Tel. +41(0) 32 488 11 11

Fax +41(0) 32 488 11 00

info@sonceboz.com - www.sonceboz.com

