



▶ Mechatronic systems

8863

- Size NEMA 34 2.4", 3.7", 5"
- Torque..... up to 9 Nm

The smart actuator is a complete drive system with self-adaptive driver, able to detect torque/position. Available with several communication options.

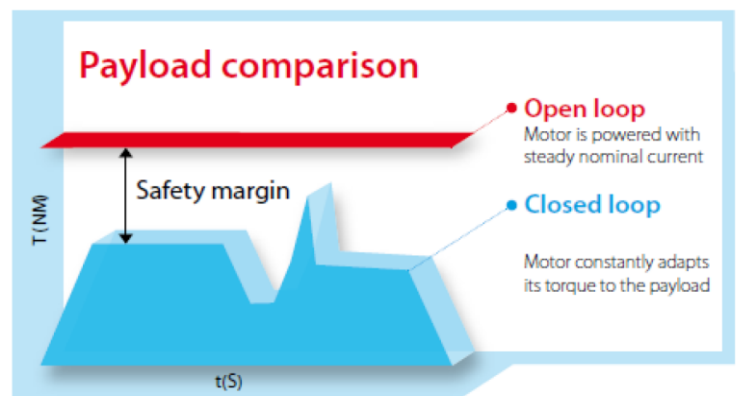
▶ Technical data

Part N°	Power supply (+/- 20%) [VDC]	Rotor inertia [gcm ²]	Holding torque [mNm]	Weight [g]
8863-24	12/24	13490	2750	~ 1800
8863-37	12/24	2660	6000	~ 3100
8863-50	12/24	3950	9000	~ 4300

Communication interface: Frequency / Direction. Optional: RS232/RS485, CAN, I²C, other. 48V, 60V and other Voltage on request.

▶ Main Features

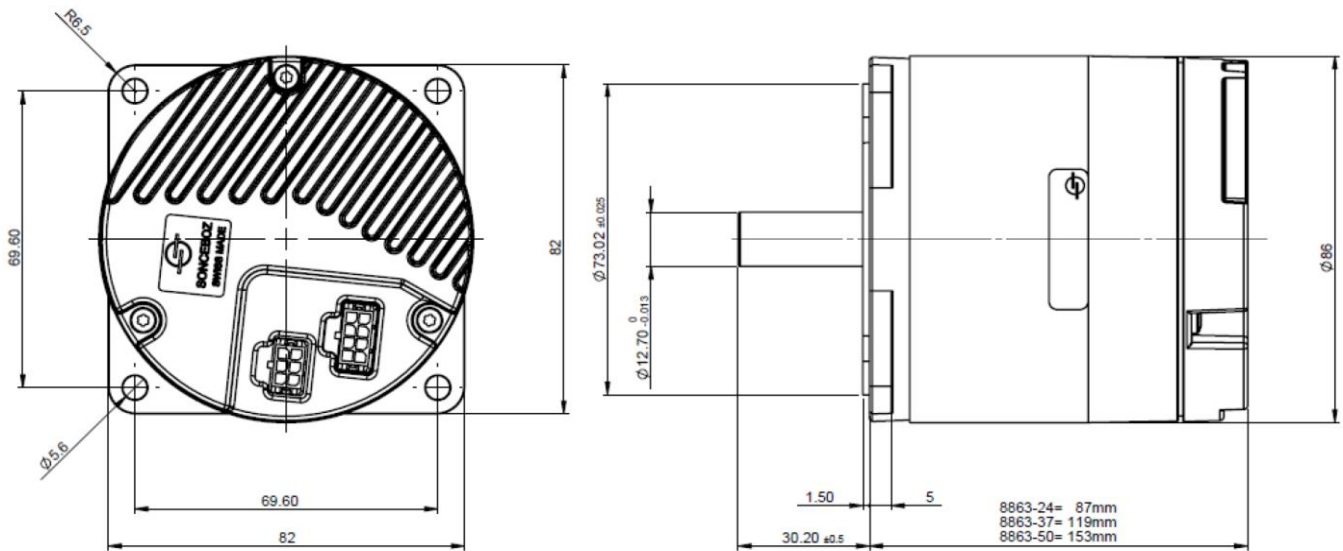
- Closed loop control
- Maximum efficiency / optimal power consumption
- Low noise and low vibrations design
- Low heat generation
- High torque at low speed



The intelligent electronics permanently adapts the phase current to meet the torque load

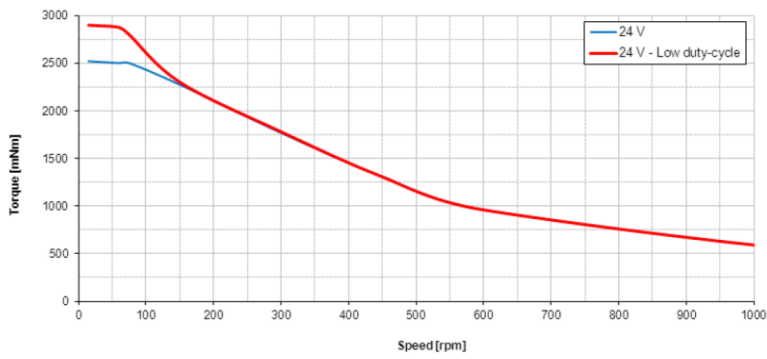
► Dimensions

Drawing not to scale. All dimensions in mm.

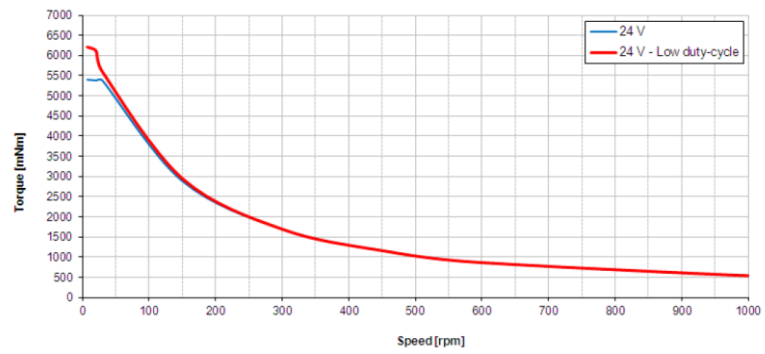


Thermal and torque characteristics

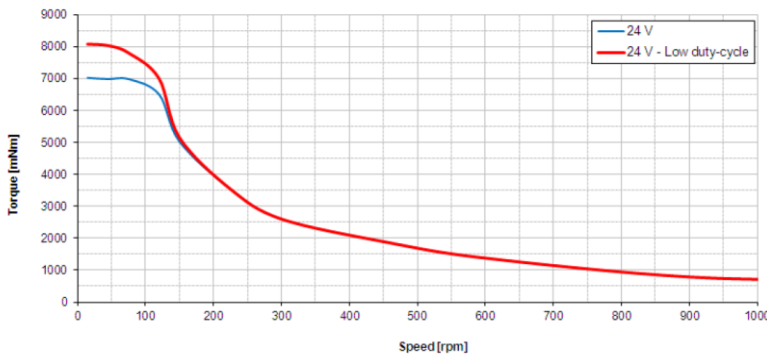
• 8863-24-2-0.2



• 8863-37-2-0.33



• 8863-50-2-0.2



Preliminary specification, subject to change without notice.

<2.0>

SONCEBOZ SA

2605 Sonceboz – Switzerland

Tel. +41(0) 32 488 11 11

Fax +41(0) 32 488 11 00

info@sonceboz.com - www.sonceboz.com

