



► Hybrid stepper motor

6540-18

- Step angle..... 1.8°
- Size 42 x 42 mm
- Weight 300 g
- Holding torque ... 240 mNm

The hybrid stepper motor comes into its own where torque at low speed, positioning, and accuracy are determining factors.

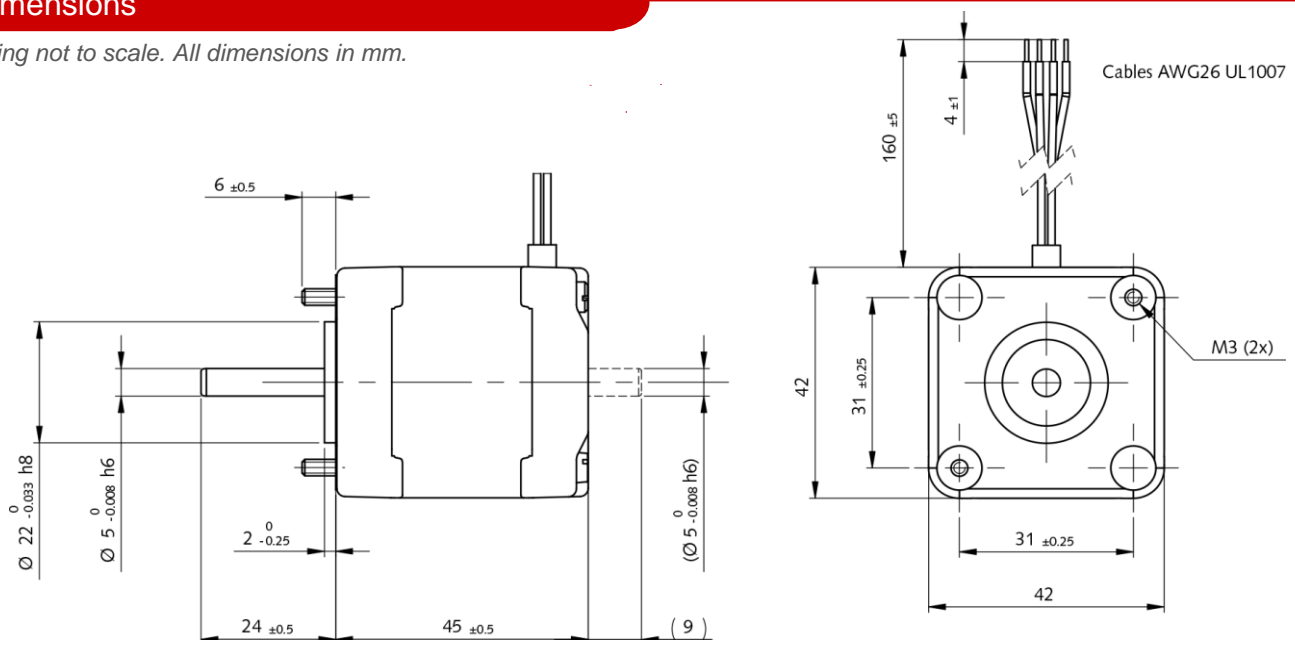
► Technical data

	Part N°	Phase resistance [Ω]	Phase inductance [mH]	Phase current [A]	Holding torque [mNm]	Nominal power [W]
Bipolar	6540-18-2-0.75	0.75	1	2.3	240	8
	6540-18-2-2.5	2.5	4	1.25	240	7.8

Steps/rev.	200
Step accuracy	± 5%
Rotor inertia	35 gcm ²
Insulation class	B 130 °C
Protection	DIN 40050 IP 30
Test voltage	500 VAC
Detent torque	14 mNm

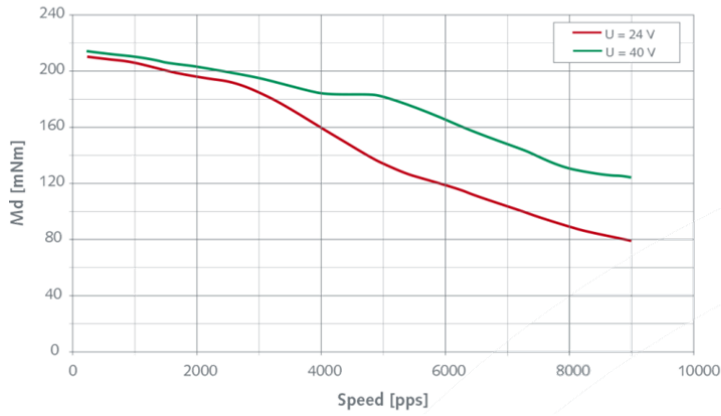
► Dimensions

Drawing not to scale. All dimensions in mm.

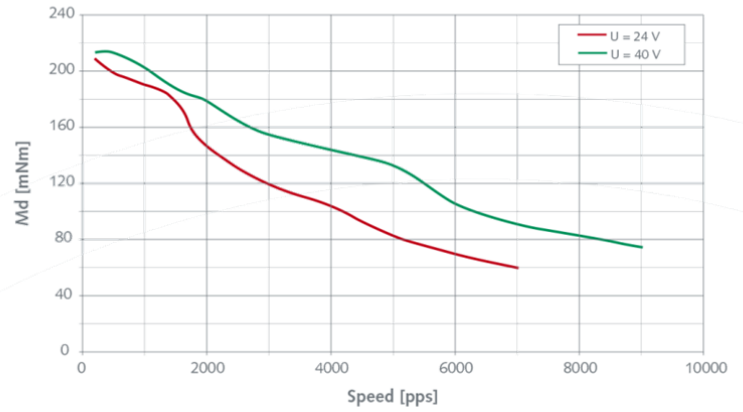


► Dynamic characteristics

• 6540-18-2-0.75



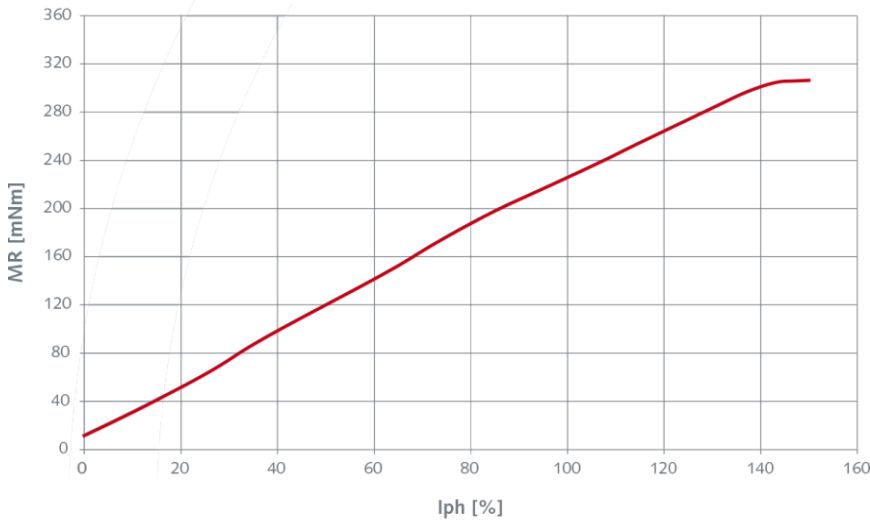
• 6540-18-2-2.5



[pps] = pulses per second

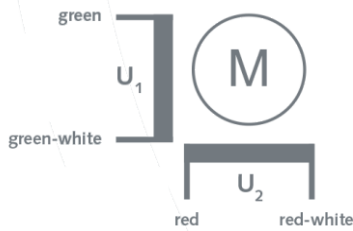
► Static characteristics

• 6540-18-2 Series



► Electrical Interface

• Bipolar



Special requirements upon customer specifications. Right to change reserved.

<2.0>

SONCEBOZ SA

2605 Sonceboz – Switzerland

Tel. +41(0) 32 488 11 11

Fax +41(0) 32 488 11 00

info@sonceboz.com - www.sonceboz.com

